



✓ **GF-2000 Series**

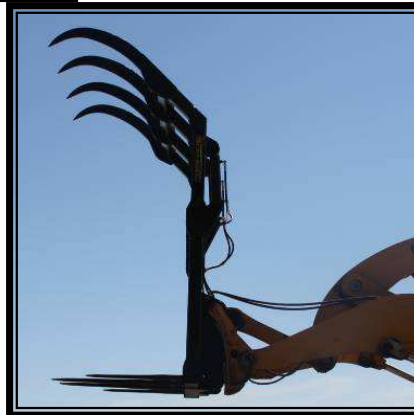
✓ **BG-600, BG-601 Series**

✓ **BF-400 Series**

## **Parts Guide and Hydraulic Schematics.**



For 2012 and up Grapple Fork 2000 series machines with long and short configurations.

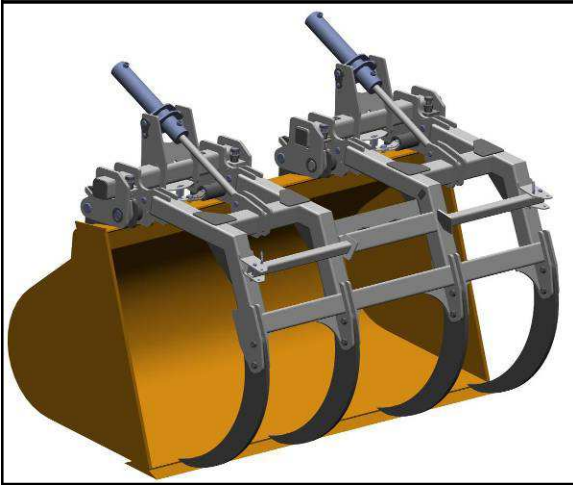


For Big Top grapple BG-600 series, and Small Top BG-601 series of bale grapples.

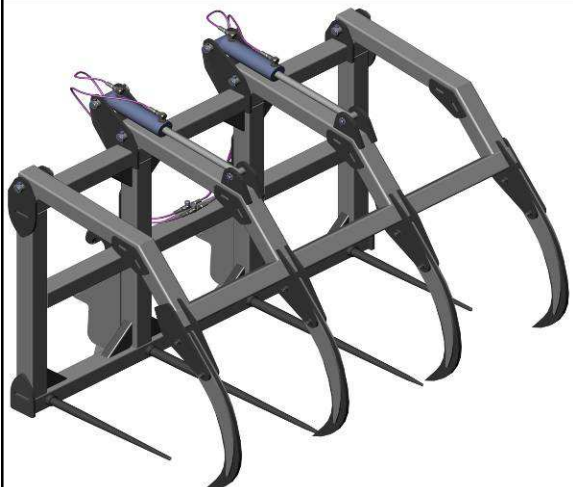
For Bale Spear BF-400 series of bale forks.



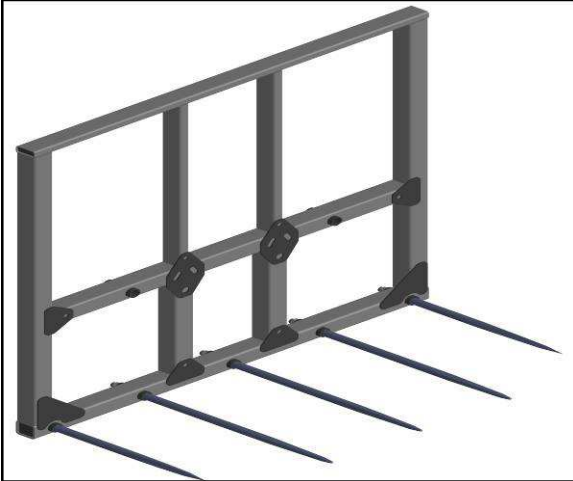
**This manual applies to:**



**✓GF-2000 Series Units**



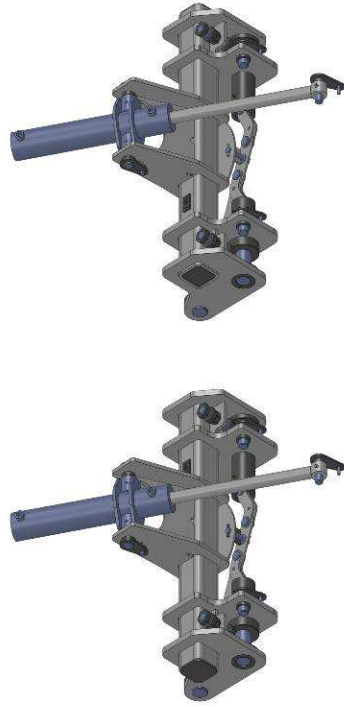
**✓BG-600, BG-601 Series Units**



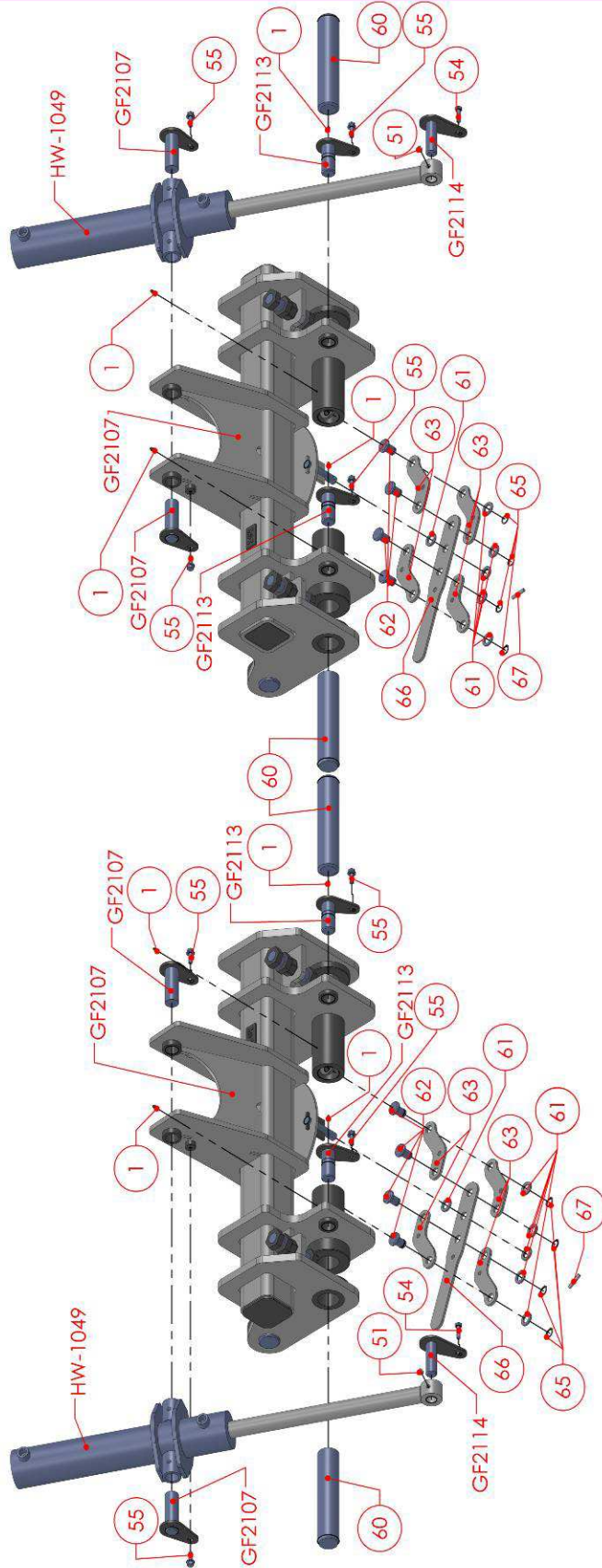
**✓BF-400 Series Units**

**Parts are shown followed by hydraulic routing schematics.**

# UPPER ASSEMBLY



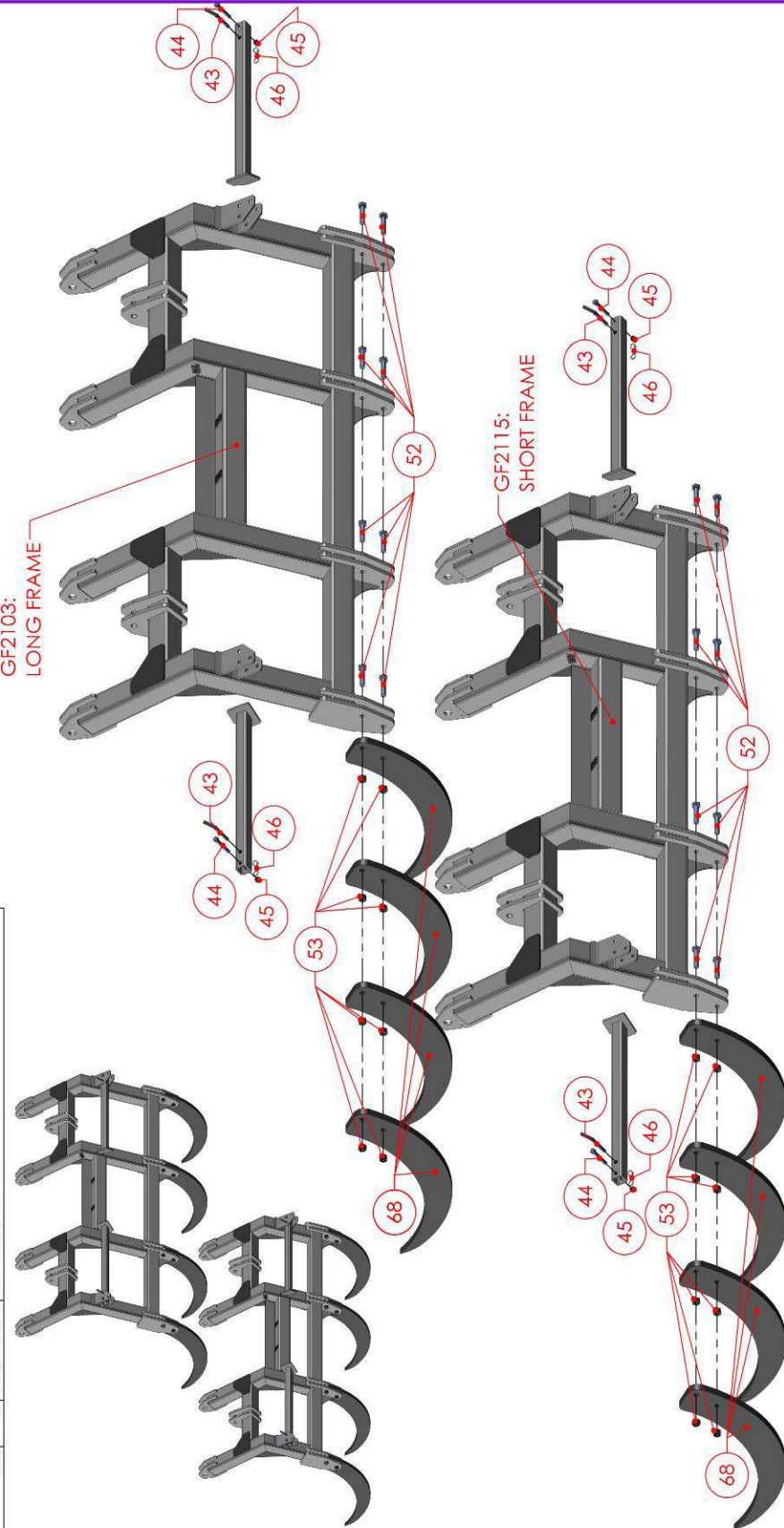
ITEM NO.	QTY.	PART NO.	DESCRIPTION
1	8	HW-1042	ZERK, 1/4-28, STRAIGHT
51	2	HW-1659	ZERK, 1/8" PIPE, STRAIGHT
54	2	HW-1040	3/8" X 1.25" NC BOLT, GR 5, PLATED
55	8	HW-1478	3/8" X 1" NC BOLT, SERRATED FLANGE, GR 5
60	4	GF2050	LARGE PIN
61	12	HW-1344	MACHINERY BUSHING, 3/4" ID X 1 1/4" OD X 10 GA
62	8	GF2047	LINKAGE PIN
63	8	GF2046	DOG LEG LINK PLATE
65	8	HW-2XXX	3/4" HD EXT. SNAP RING
66	2	GF2045	PAN HANDLE LINK PLATE
67	2	HW-1479	ROLL PIN (SPRING PIN), 5/16" X 1.5"



WEIGHT: \_\_\_\_\_ DESCRIPTION: UPPER GRAPPLER FORK ASSEMBLIES PRINT DATE: 9/28/2015 Schlager Mfg

# SHORT AND LONG GRAPPLER FORK FRAME

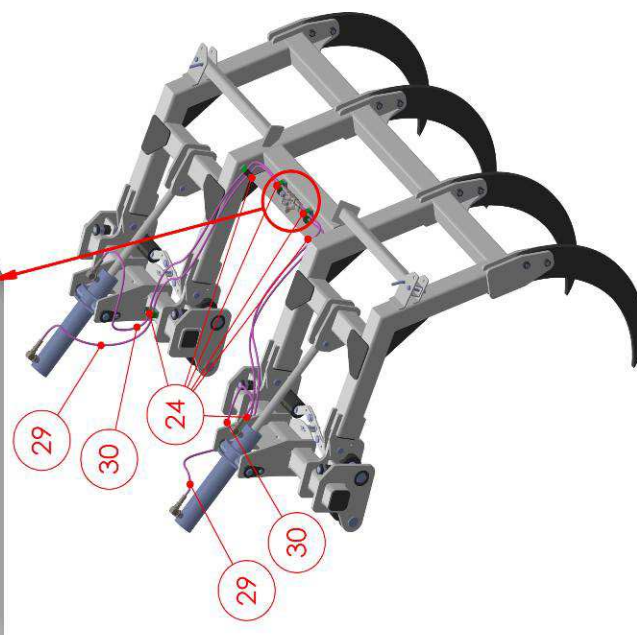
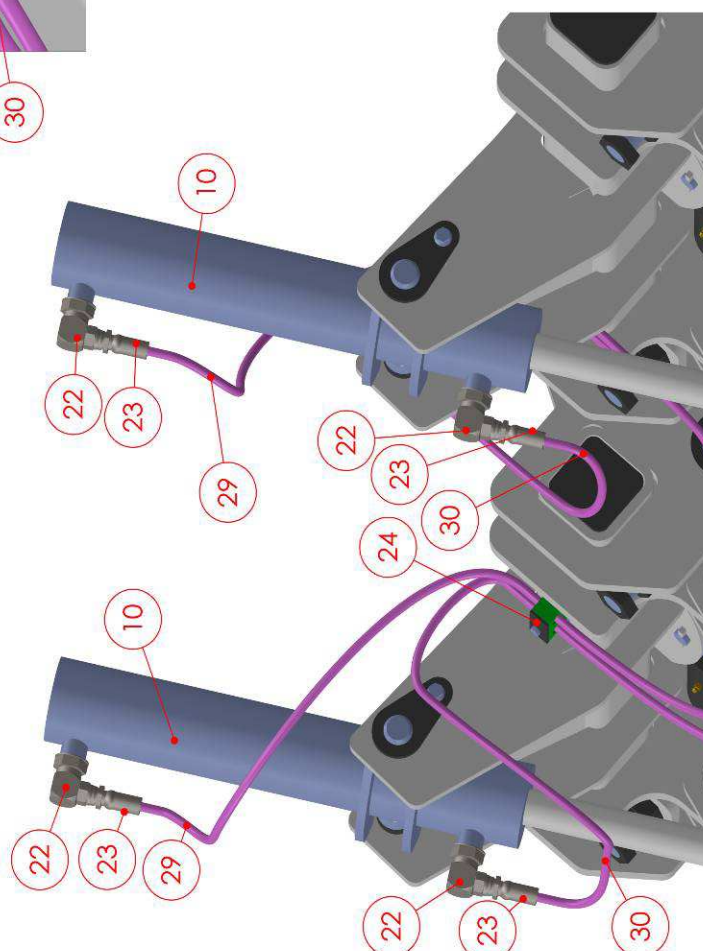
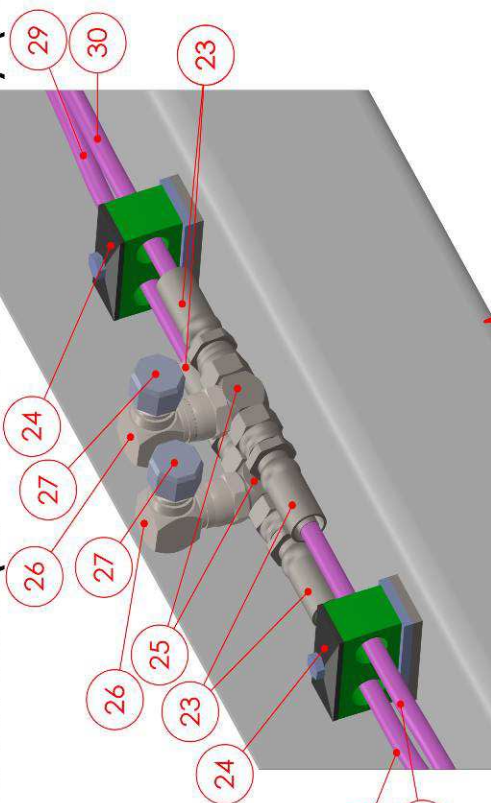
ITEM NO.	QTY	PART NO.	DESCRIPTION
43	4	HW-1957	BENT PIN, 1/2" X 3" X 45 DEG.
44	4	HW-1025	1/2" X 3.5" NC BOLT, HEX, GR 5
45	4	HW-1109	1/2" NF NUT, PLATED
46	4	HW-1958	BOWTIE PIN, 0.120" WIRE, 1/2"-5/8" CAP.
52	16	HW-1132	3/4" X 3" NC BOLT, GR5, HEX, PLATED
53	16	HW-1016	3/4" NC NUT
68	8	GF2038A	GF TOOTH



WEIGHT: \_\_\_\_\_ DESCRIPTION: BUCKET FRAME SIZE OPTIONS \_\_\_\_\_ PRINT DATE: 9/28/2015 Schlager Mfg

# GF2000 SERIES HYDRAULICS (SHORT AND LONG) (2)

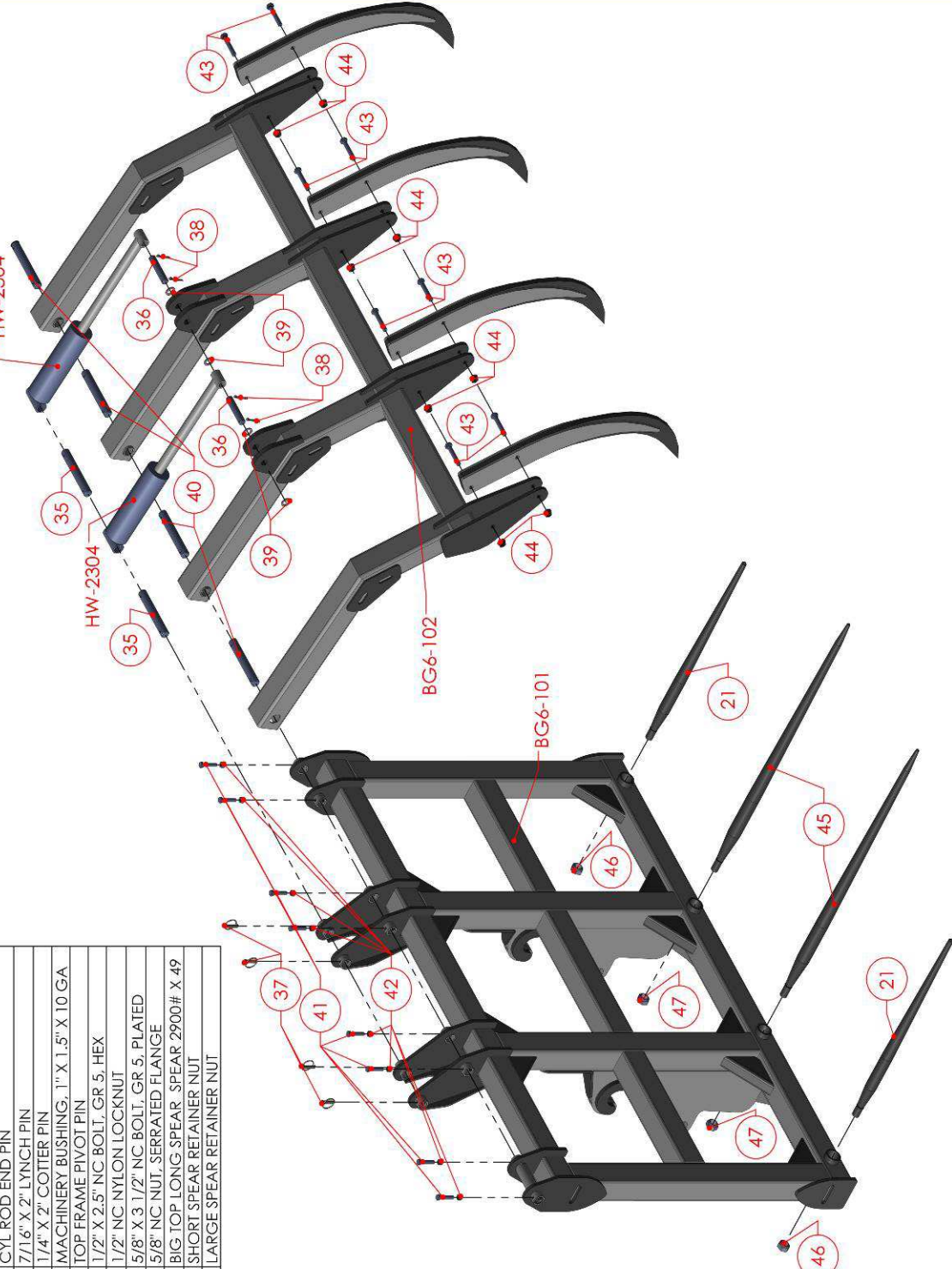
ITEM NO.	QTY.	PART NO.	DESCRIPTION
10	2	HW-1049 Grapple	3" X 16" HYD CYL - GRAPPLE FORK
22	4	HW-1728	ADAPTER-90 DEG. [3/4"] MALE O X [3/4"] MALE J
23	8	HW-1723	COUPLING [3/4"] FM J SW X [3/8"] HOSE
24	6	HW-1100 3-8 WB	1/2" HHK ASSY, W/ BASE
25	2	HW-1726	TEE [3/4"] MJ (3X)
26	2	HW-1731	90 DEG ADAPTER [3/4"] FM J SW. TO [3/4"] J MALE
27	2	HW-1097	[3/4"] F J CAP
29	1	HW-2316	[63"] 3/8" HOSE W/ 3/4" FM SWIVEL JIC ENDS
30	1	HW-2315	[46"] 3/8" HOSE W/ 3/4" FM SWIVEL JIC ENDS



WEIGHT: \_\_\_\_\_ DESCRIPTION: HYDRAULICS FOR SHORT AND LONG GF-2000 PRINT DATE: 10/1/2015 Schlager Mfg

# BIG TOP GRAPPLE BG-600

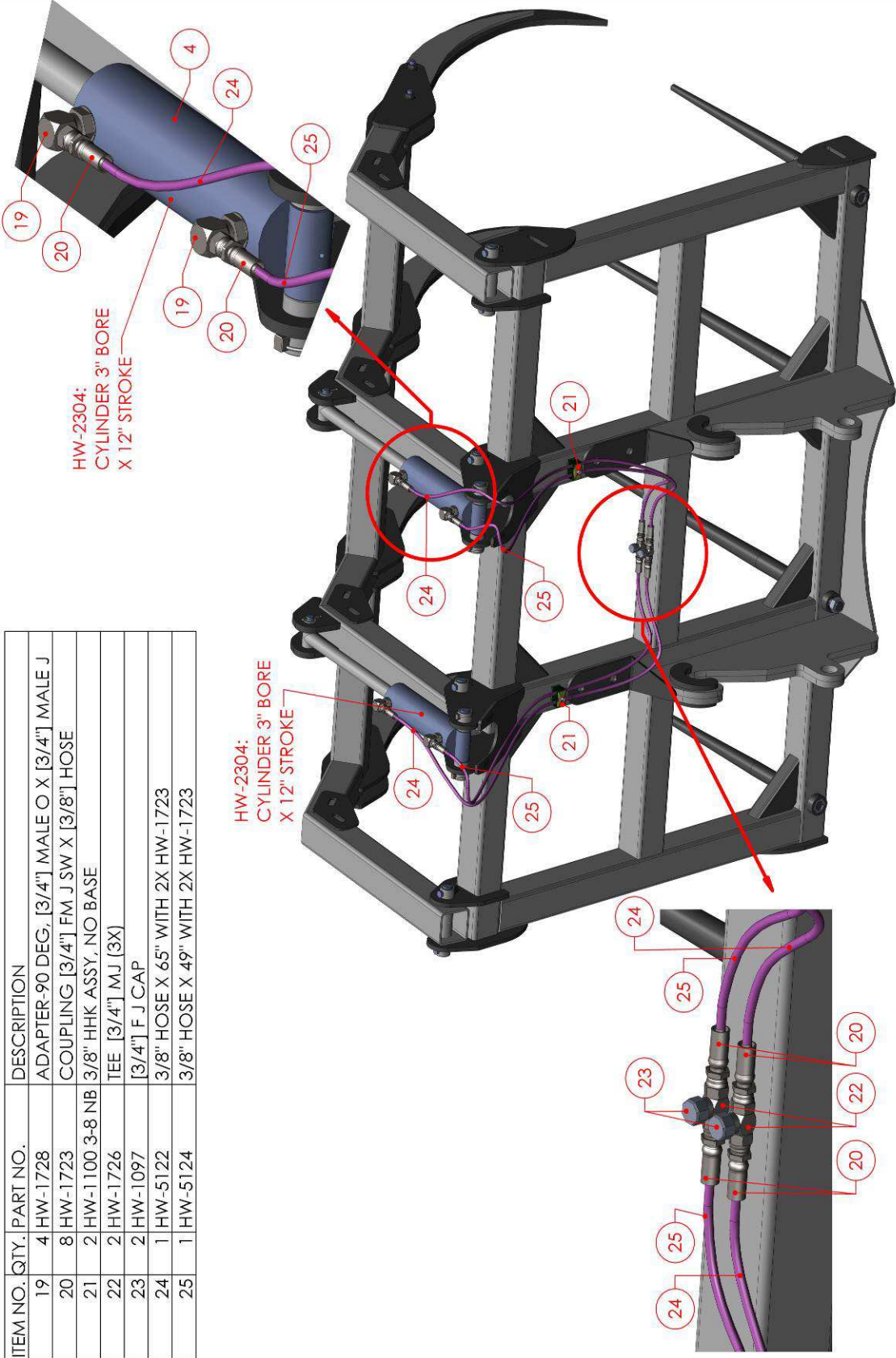
ITEM NO.	QTY.	PART NO.	DESCRIPTION
21	2	FST-36	BIG TOP SHORT SPEAR SPEAR 2200# X 36
35	2	BG6-036	CYLINDER PIVOT PIN
36	2	BG6-007	CYL ROD END PIN
37	4	HW-1031	7/16" X 2" LYNCH PIN
38	4	HW-1030	1/4" X 2" COTTER PIN
39	4	HW-1447	MACHINERY BUSHING, 1" X 1.5" X 10 GA
40	4	BG6-006	TOP FRAME PIVOT PIN
41	8	HW-1026	1/2" X 2.5" NC BOLT, GR 5, HEX
42	8	HW-1137	1/2" NC NYLON LOCKNUT
43	8	HW-1404	5/8" X 3 1/2" NC BOLT, GR 5, PLATED
44	8	HW-1891	5/8" NC NUT, SERRATED FLANGE
45	2	HD-TINE	BIG TOP LONG SPEAR SPEAR 2900# X 49
46	2	FST-NUT	SHORT SPEAR RETAINER NUT
47	2	HD-NUT	LARGE SPEAR RETAINER NUT



WEIGHT: \_\_\_\_\_ DESCRIPTION: **BIG TOP GRAPPLE** PRINT DATE: **9/29/2015** **Schlagel Mfg**

# BG-600 BIG TOP GRAPPLE HYDRAULICS

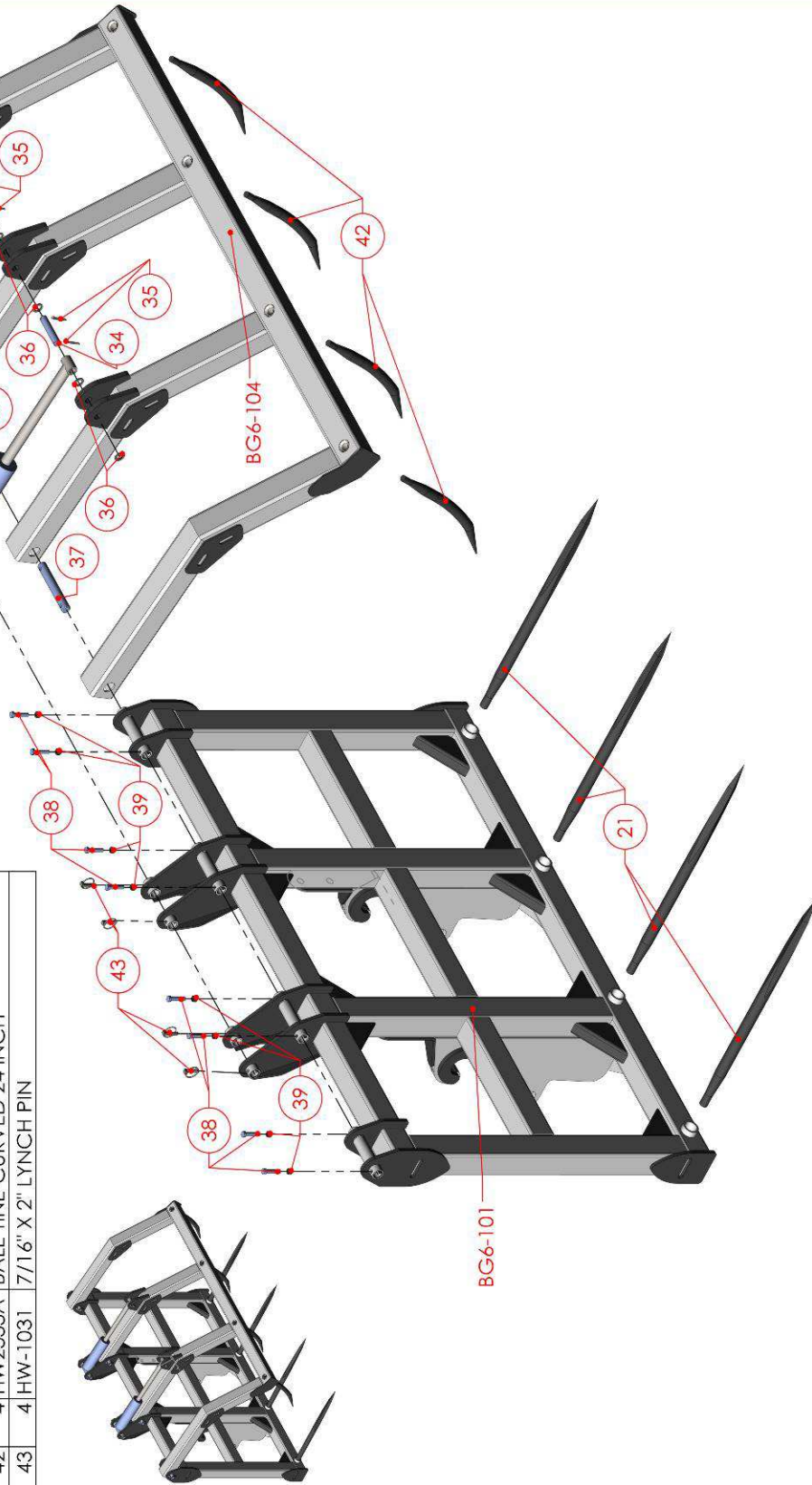
ITEM NO.	QTY.	PART NO.	DESCRIPTION
19	4	HW-1728	ADAPTER-90 DEG. [3/4"] MALE O X [3/4"] MALE J
20	8	HW-1723	COUPLING [3/4"] FM J SW X [3/8"] HOSE
21	2	HW-1100 3-8 NB	3/8" HHK ASSY. NO BASE
22	2	HW-1726	TEE [3/4"] MJ (3X)
23	2	HW-1097	[3/4"] F J CAP
24	1	HW-5122	3/8" HOSE X 65" WITH 2X HW-1723
25	1	HW-5124	3/8" HOSE X 49" WITH 2X HW-1723



WEIGHT: \_\_\_\_\_ DESCRIPTION: \_\_\_\_\_ PRINT DATE: 10/1/2015 Schlagel Mfg

# SMALL TOP GRAPPLE BG-601

ITEM NO.	QTY.	PART NO.	DESCRIPTION
21	4	HW-2247	BALE SPEAR, 39"
33	2	BG6-036	CYLINDER PIVOT PIN
34	2	BG6-007	CYL ROD END PIN
35	4	HW-1030	1/4" X 2" COTTER PIN
36	4	HW-1447	MACHINERY BUSHING, 1" X 1.5" X 10 GA
37	4	BG6-006	TOP FRAME PIVOT PIN
38	8	HW-1026	1/2" X 2.5" NC BOLT, GR 5, HEX
39	8	HW-1137	1/2" NC NYLON LOCKNUT
42	4	HW2333A	BALE TINE-CURVED 24 INCH
43	4	HW-1031	7/16" X 2" LYNCH PIN

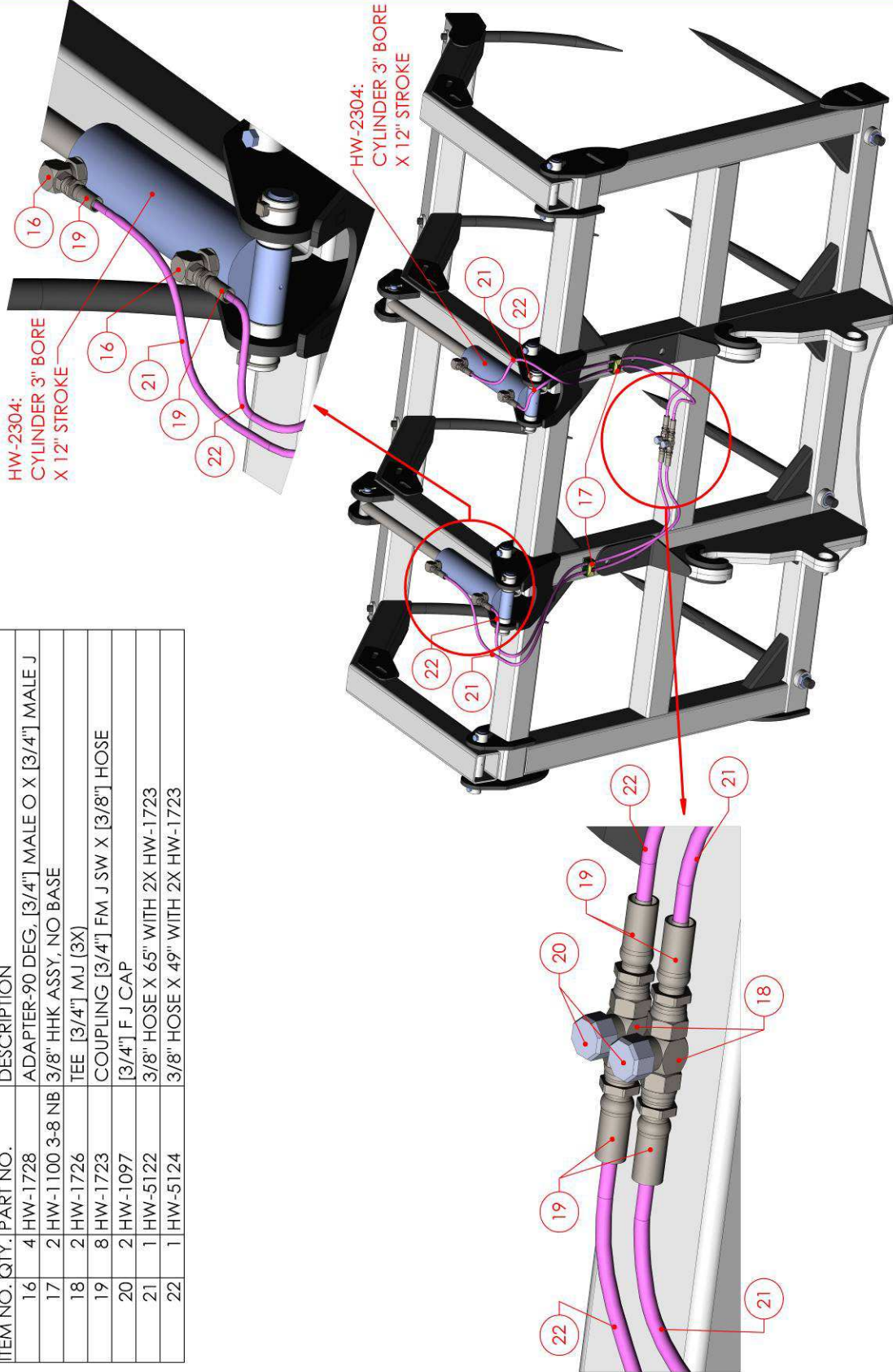


WEIGHT: \_\_\_\_\_ DESCRIPTION: **SMALL TOP GRAPPLE FORK** PRINT DATE: **9/29/2015** **Schlager Mfg**



# BG-601 SMALL TOP GRAPPLE HYDRAULICS

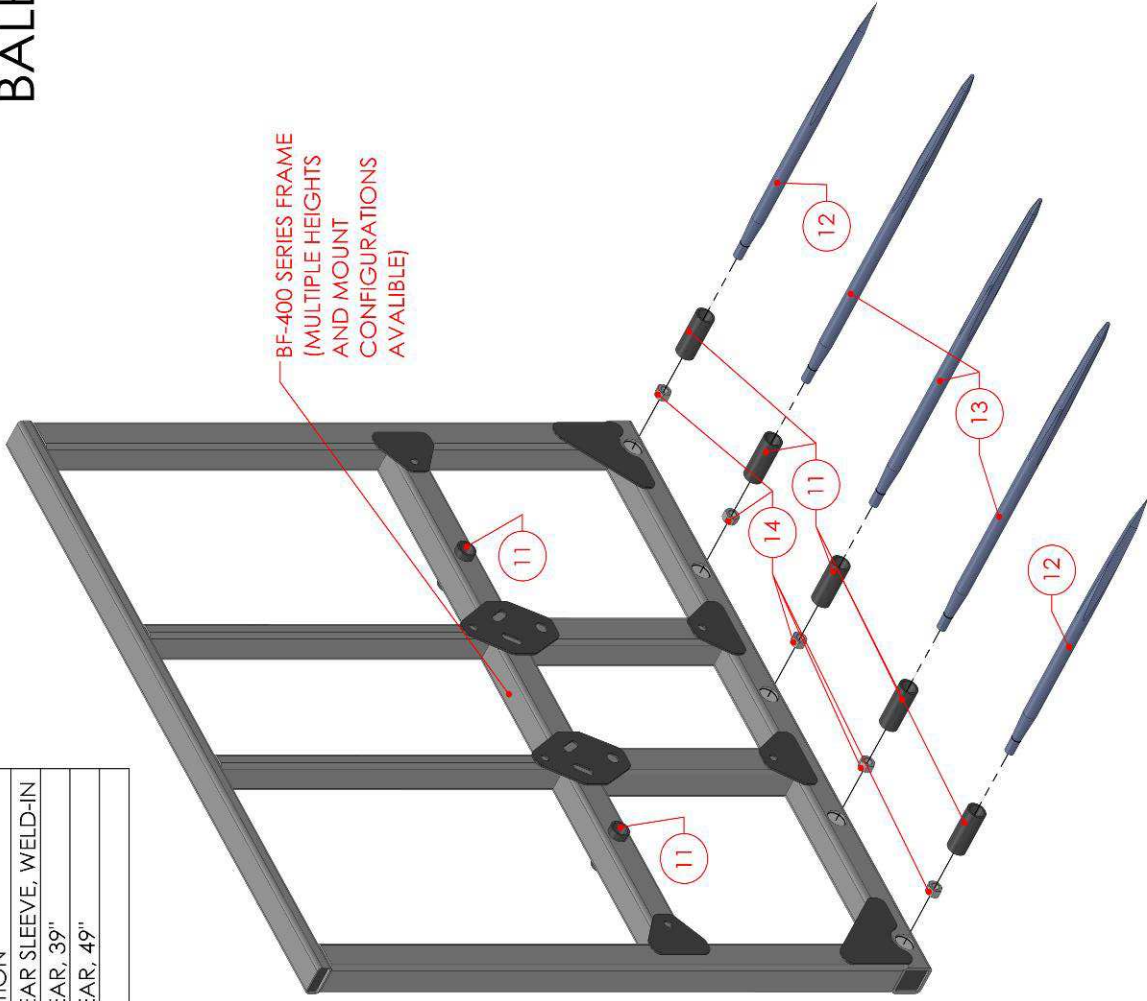
ITEM NO.	QTY.	PART NO.	DESCRIPTION
16	4	HW-1728	ADAPTER-90 DEG. [3/4"] MALE O X [3/4"] MALE J
17	2	HW-1100 3-8 NB	3/8" HHK ASSY, NO BASE
18	2	HW-1726	TEE [3/4"] MJ (3X)
19	8	HW-1723	COUPLING [3/4"] FM J SW X [3/8"] HOSE
20	2	HW-1097	[3/4"] F J CAP
21	1	HW-5122	3/8" HOSE X 65" WITH 2X HW-1723
22	1	HW-5124	3/8" HOSE X 49" WITH 2X HW-1723



WEIGHT: \_\_\_\_\_ DESCRIPTION: **SMALL TOP GRAPPLE FORK** PRINT DATE: **10/1/2015** **Schlagel Mfg**

# BALE FORKS

ITEM NO.	QTY.	PART NO.	DESCRIPTION
11	7	HW-1356B	BALE SPEAR SLEEVE, WELD-IN
12	2	HW-2247	BALE SPEAR, 39"
13	3	HW-1356A	BALE SPEAR, 49"
14	5	heavy hex nut_d1	



WEIGHT: Call Schlage

DESCRIPTION: BALE SPEARS AND BUSHINGS

PRINT DATE: 9/30/2015

Schlager Mfg