

HEAVY-DUTY GRAPPLE FORK



HEAVY-DUTY GRAPPLE FORK

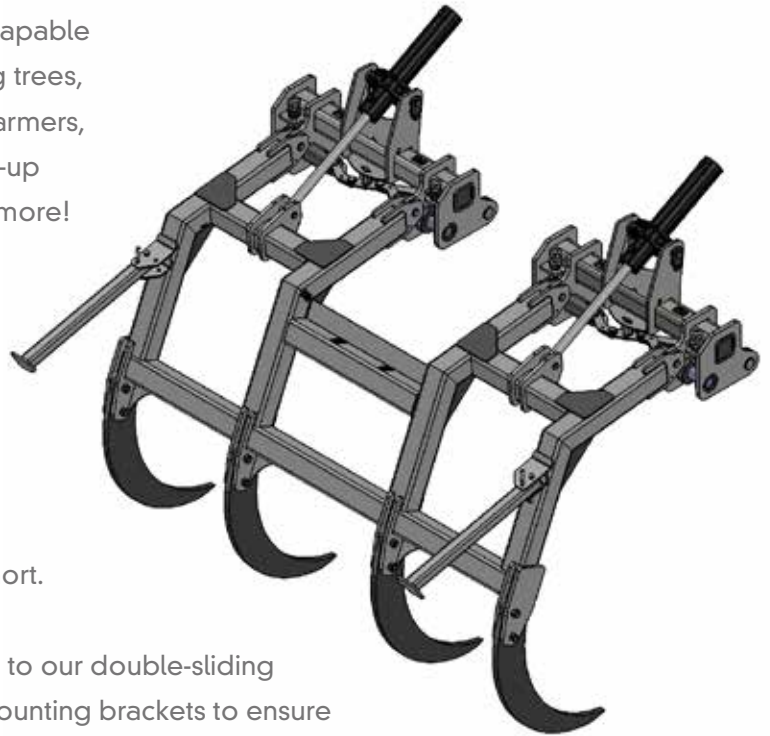
HEAVY-DUTY, MULTI-USE DESIGN

A multi-use grapple, our heavy-duty Grapple Fork is capable of gently grasping hay bales or aggressively handling trees, cement, and debris. It's an ideal tool for contractors, farmers, ranchers, livestock feeders, maintenance shops, clean-up crews, city/town shops, construction/demolition and more!

Built to withstand the abuse that today's heavy loaders can dish out, the Grapple Fork features heavy-walled, square-tube construction and thick, 1" steel teeth. Each tooth is fitted with a shear bolt for added protection.

We offer two sizes to better fit your bucket: Tall and short.

Mounting and dismounting takes no time at all, thanks to our double-sliding pin mounting system, and we include four weld-on mounting brackets to ensure quick and easy installation.



 **SCHLAGEL**

Our products are simple, yet stalwart, and they're built and tested to ensure they'll be in it for the long haul.

Visit our website to locate a trusted Schlagel dealer near you. Have questions? Just give us a call!

www.schlagel.net
1.888.889.1504

